



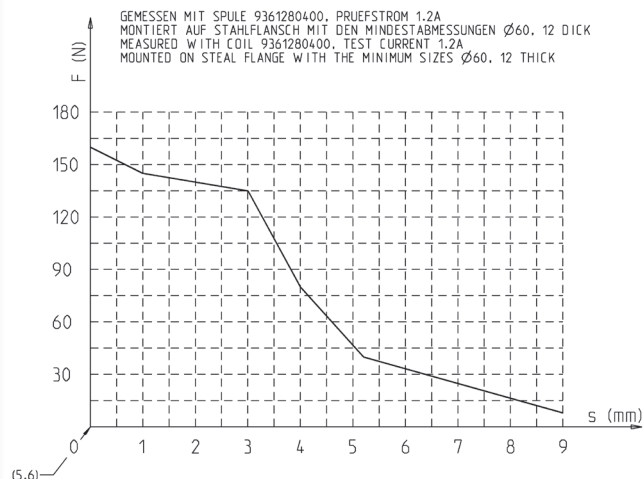
WET PIN ON/OFF DC SOLENOID-NG10

Part No. C66 13 043 04

FORCE VS STROKE CURVE

Note: Test current is 1.2A.

KRAFT-WEG-MINDESTKENNLINIE
FORCE STROKE MINIMAL CURVE



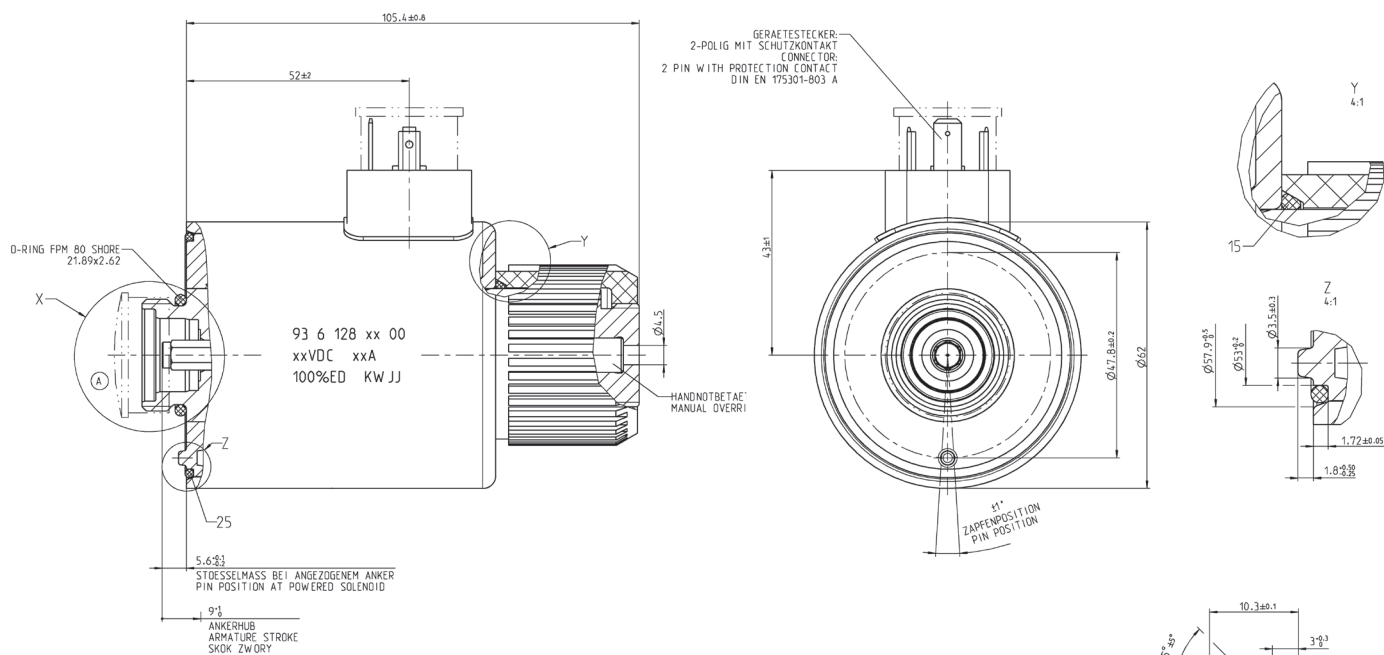
APPLICATION

Designed for directional hydraulic valves with wet pin

FEATURES

- Push type
- Small hysteresis and quick response time
- Mounting central thread M 27x1.5
- Emergency manual override
- Insulation class of coil: F (class H available on request)
- Electrical connector acc. to DIN EN 175301-803 A
- Enclosure protection class: IP65
- Core Tube Diameter = 31 mm

DIMENSIONS



TECHNICAL DATA

C 66 13 043 04	
Nominal Voltage	24 V
Working Stroke	3.0 mm
Total Stroke	7.0 mm
Nominal Solenoid Force	59 N
Nominal Force Hysteresis	<6 N
Nominal Current	0.8 A
Nominal Resistance at 20°C	21.3 Ω ±5%
Pressure Resistance (dyn.)	210 bar

NOTE: Coil and Core Tube can be ordered separately.

